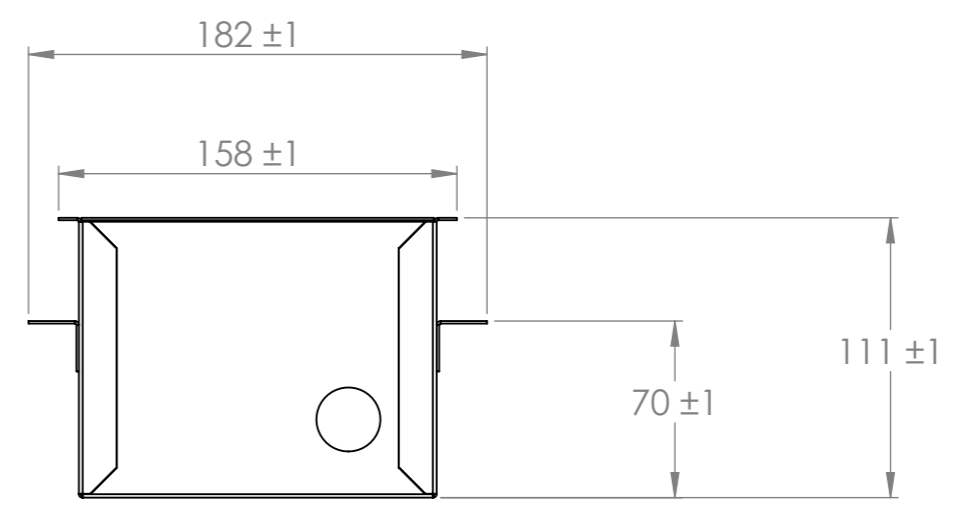
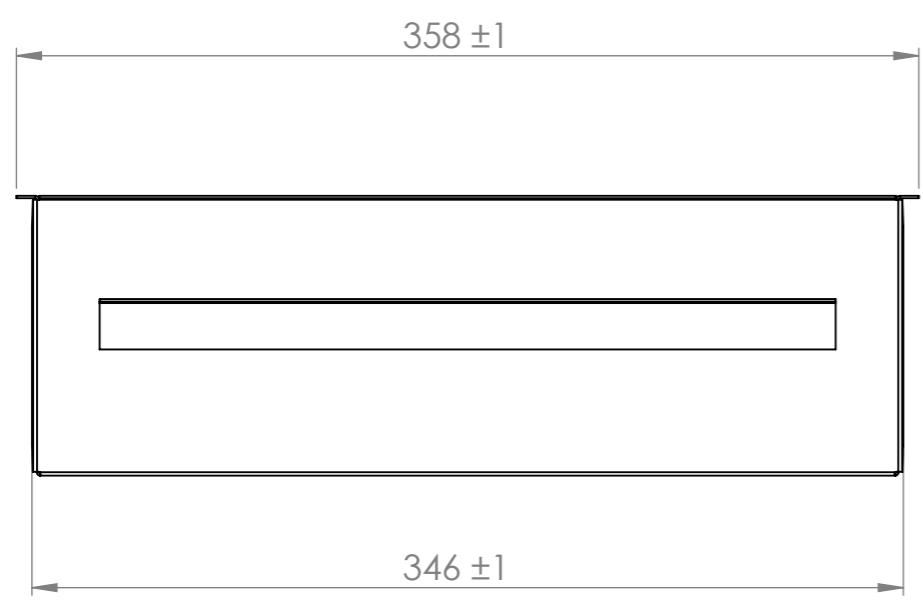
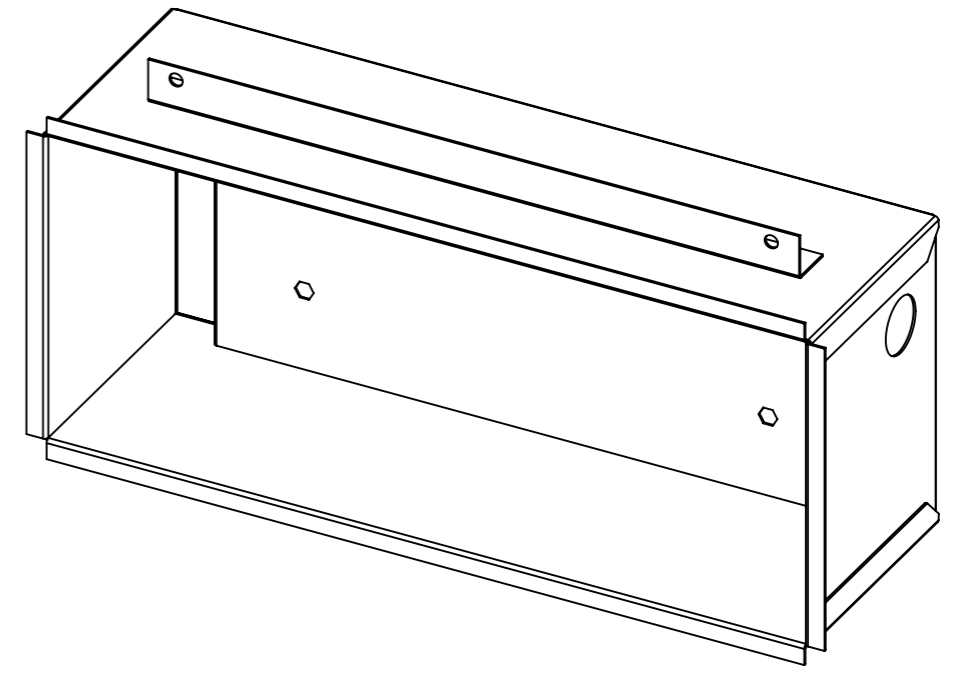
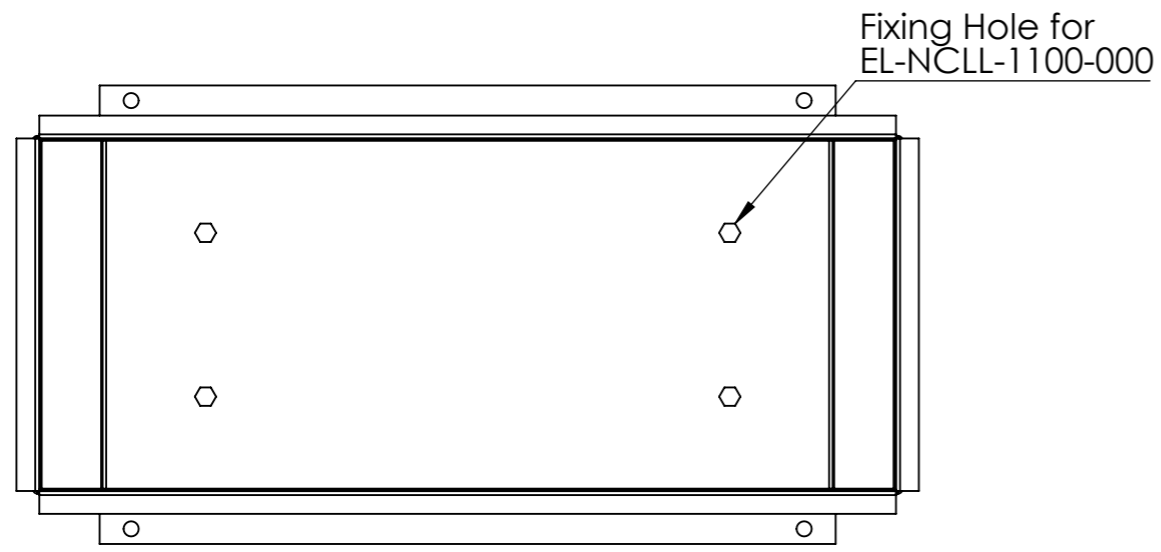


1		2		3		4		5		6		7		8		
CLIENT APPROVAL						NOTE: THIS DRAWING MUST BE SIGNED AND RETURNED TO CONFIRM APPROVAL OF ALL DETAILS INDICATED ON THIS PAGE. ALL REVISIONS TO THE DETAILS INDICATED ON THIS PAGE MUST BE APPROVED VIA A SIGNED DRAWING PRIOR TO ORDER.	REVISION	LOCATION	DESCRIPTION				BY	DATE	CH'D BY	DATE
COMPANY	CLIENT NAME	REV'N	DATE	CLIENT SIGNATURE	A		---	Initial Design								



This drawing is the property of Eagle Lighting Australia. ELA reserves all rights to patents and registered designs. It must not be reproduced or made available to any third party without written consent.

DO NOT SCALE - IF IN DOUBT, ASK		Colour / Finish	Gloss White		Project Name:
Note: Unless specified otherwise, all dimensions are in millimeters		Sheet Size:	A3	Sheet: 1 of 1	Rev. A
Note: If no tolerance stated refer to standard SS-ISO 2768-1 m		Drawn By:	Benjamin.Cheng		Date: 9/03/2022
		Checked By:	Mark.Antonello		Date: 9/03/2022

Assem Code/Drw No:	EL-ACC-NLS-000
Assem Name:	CONCRETE SKIN T/S NITE CELL LITE 365X165X95



EAGLE LIGHTING
A Fagerhult Group Company

17-19 Jets Court, Melbourne Airport VIC 3045
www.eaglelighting.com.au