

MULTIFIVE BASIC BETA G2



eaglelightingaustralia  
'Member of the Fagerhult Group'

# MULTIFIVE BASIC BETA G2 1X28W

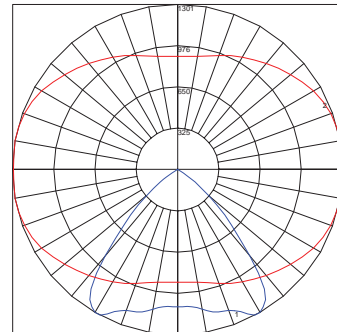


## product information

## polar drawing

### Fagerhult MultiFive Basic Beta G2 1x28W

Article No.	25485
Luminaire Luminous Flux	2600 lm
System Luminaire Wattage	30W
Size	1200 x 300



## calculation summary

Height of Room: 2.7m	Work Plane: 0.72m	Reflection Properties: 80/50/20		
<b>APPROXIMATE W/m<sup>2</sup> = 4.63 = 1.40 W/m<sup>2</sup>/100 lux</b>		Spacing : 2.4 x 2.7m		
Maximum Glare Index : 19		0% Points over 400 lux		BCA : 4.63 W/m <sup>2</sup>
<b>Maintenance Factor</b>	<b>Eav [lx]</b>	<b>E<sub>max</sub> [lx]</b>	<b>E<sub>min</sub> [lx]</b>	<b>E<sub>min</sub>/Eav</b>
.8mf	329.17	395	254	0.77

# AGi32 lighting calculation



# 3d render



# MULTIFIVE BASIC BETA G2 1X25W

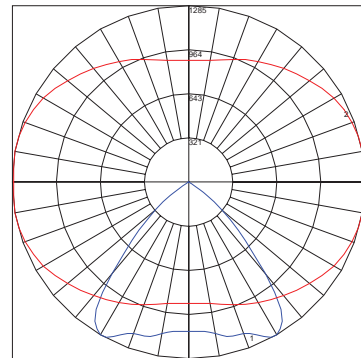


## product information

## polar drawing

### Fagerhult MultiFive Basic Beta G2 1x25W

Article No.	25485
Luminaire Luminous Flux	2450 lm
System Luminaire Wattage	27W
Size	1200 x 300



## calculation summary

Height of Room: 2.7m	Work Plane: 0.72m	Reflection Properties: 80/50/20		
<b>APPROXIMATE W/m<sup>2</sup> = 4.16 = 1.28 W/m<sup>2</sup>/100 lux</b>		Spacing : 2.4 x 2.7m		
Maximum Glare Index : 19		0% Points over 400 lux		BCA : 4.16 W/m <sup>2</sup>
<b>Maintenance Factor</b>	<b>Eav [lx]</b>	<b>E<sub>max</sub> [lx]</b>	<b>E<sub>min</sub> [lx]</b>	<b>E<sub>min</sub>/Eav</b>
.8mf	325.94	388	254	0.78



# AGI32 lighting calculation

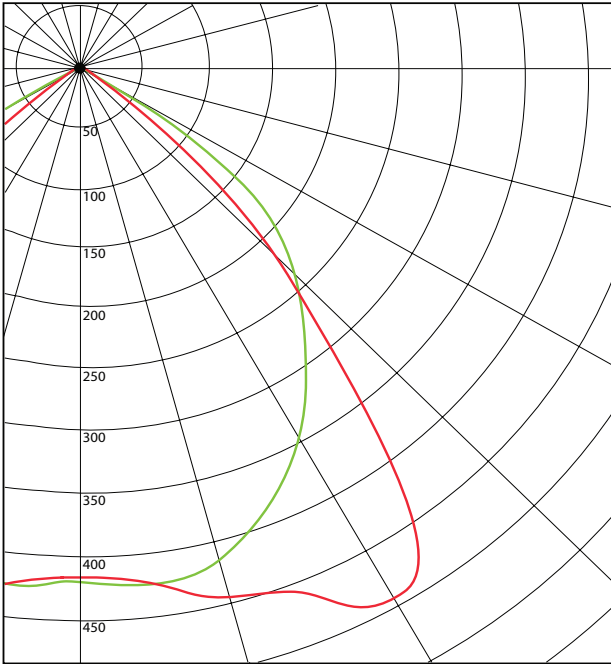


# 3d render



# MULTIFIVE BASIC BETA G2 1X28W REPORT

Fagerhult Multifive Basic Beta G2 1x28W T5 Luminaire. Article Number 25485. Luminous opening 100 x 1160.  
 Louvre : 1 x 23 cell R5 Beta Louvre. Total power consumption/wattage : 30W. Total Lamp Flux : 2600lm.



**INTENSITY SUMMARY (cd)**

Gamma	C0	C-Plane C45	C90
0.0	1081.08	1081.08	1081.08
6.0	1087.06	1097.20	1101.36
12.0	1135.94	1125.54	1092.52
18.0	1166.36	1146.34	1053.52
24.0	1221.22	1133.34	992.94
30.0	1293.76	1125.80	890.24
36.0	1150.24	1106.82	787.80
42.0	712.14	926.12	682.50
48.0	401.70	601.64	567.58
54.0	161.20	319.02	412.62
60.0	19.50	127.40	174.98
66.0	7.28	19.50	36.14
72.0	2.60	5.72	14.82
78.0	1.04	2.60	6.76
84.0	0.52	1.04	2.86
90.0	0.52	0.52	0.52

**AVERAGE LUMINANCE (cd/sq.m/klm)**

Gamma	C0	C45	C90
45.0	6720	9451	7631
55.0	1918	4281	5793
65.0	175	578	869
75.0	52	130	338
85.0	51	103	231

**ZONAL LUMENS AND PERCENTAGES**

Zone	Lumens	% Lamp	% Fixture
0-30	944.16	36.3	39.4
0-40	1590.28	61.2	66.3
0-60	2351.99	90.5	98.1
0-90	2397.17	92.2	100
90-120	0	0	0
90-130	0	0	0
90-150	0	0	0
90-180	0	0	0
0-180	2397.17	92.2	100

TOTAL LUMINAIRE EFFICIENCY = 92.9%

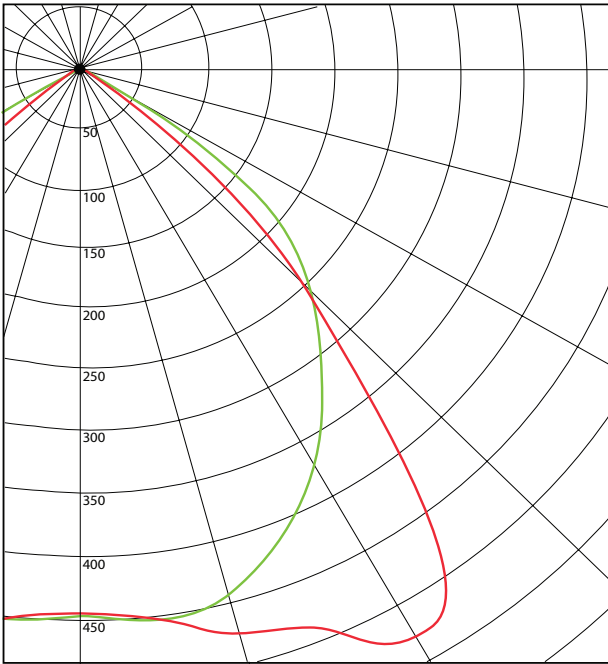
SHR-NOM = 1.52 Calculated using the TM5 fine grid method.

**COEFFICIENTS OF UTILISATION - ZONAL CAVITY METHOD**

Effective Floor Cavity Reflectance 0.20																					
RC	80				70				50				30				10			0	
RW	70	50	30	10	70	50	30	10	50	30	10	50	30	10	50	30	10	50	30	10	0
0	110	110	110	110	107	107	107	107	102	102	102	98	98	98	94	94	94	92			
1	103	100	97	95	101	98	95	93	94	92	20	91	89	88	88	86	85	83			
2	96	91	86	82	94	89	85	81	86	82	79	83	80	77	80	78	76	74			
3	90	82	76	71	87	81	75	71	78	73	70	76	72	68	73	70	67	66			
4	83	74	68	63	81	73	67	62	71	66	62	69	64	61	67	63	30	58			
5	77	67	61	56	76	67	60	55	65	59	55	63	58	54	61	57	54	52			
6	72	62	55	49	70	61	54	49	59	53	49	58	53	49	56	52	48	47			
7	67	56	49	44	66	56	49	44	54	48	44	53	48	44	52	47	43	42			
8	63	52	45	40	61	51	45	40	50	44	40	49	43	40	48	43	39	38			
9	59	48	41	36	58	47	41	36	46	40	36	45	40	36	44	39	36	34			
10	55	44	37	33	54	44	37	33	43	37	33	42	37	33	41	36	33	31			

# MULTIFIVE BASIC BETA G2 1X25W REPORT

Fagerhult Multifive Basic Beta G2 1x25W T5 Luminaire. Article Number 25485. Luminous opening 100 x 1160.  
Louvre : 1 x 23 cell R5 Beta Louvre. Total power consumption/wattage : 27W. Total Lamp Flux : 2450lm.



**INTENSITY SUMMARY (cd)**

Gamma	C0	C-Plane C45	C90
0.0	1088.02	1088.02	1088.02
6.0	1093.51	1102.97	1109.56
12.0	1138.79	1129.16	1094.15
18.0	1161.59	1145.82	1052.37
24.0	1210.69	1126.93	989.26
30.0	1277.43	1114.72	885.43
36.0	1133.49	1091.11	781.28
42.0	693.82	912.77	675.07
48.0	394.69	592.21	559.43
54.0	156.76	313.60	404.27
60.0	19.09	125.05	173.70
66.0	7.19	19.83	37.05
72.0	2.64	5.68	15.00
78.0	0.99	2.62	6.80
84.0	0.44	1.13	2.84
90.0	0.23	0.43	0.65

**AVERAGE LUMINANCE (cd/sq.m/klm)**

Gamma	C0	C45	C90
45.0	6561	9302	7537
55.0	1856	4207	5637
65.0	171	581	901
75.0	50	129	337
85.0	38	96	230

**ZONAL LUMENS AND PERCENTAGES**

Zone	Lumens	% Lamp	% Fixture
0-30	941.33	38.4	39.7
0-40	1579.93	64.5	66.6
0-60	2327.87	95	98.1
0-90	2373.63	96.9	100
90-120	0	0	0
90-130	0	0	0
90-150	0	0	0
90-180	0	0	0
0-180	2373.63	96.9	100

TOTAL LUMINAIRE EFFICIENCY = 96.9%

SHR-NOM = 1.52 Calculated using the TM5 fine grid method.

**COEFFICIENTS OF UTILISATION - ZONAL CAVITY METHOD**

Effective Floor Cavity Reflectance 0.20																					
RC	80				70				50				30				10				0
RW	70	50	30	10	70	50	30	10	50	30	10	50	30	10	50	30	10	50	30	10	0
0	115	115	115	115	113	113	113	113	108	108	108	103	103	103	99	99	99	99	99	99	97
1	108	105	102	100	106	103	100	98	99	97	95	95	94	92	92	91	89	89	89	89	88
2	101	95	90	86	99	93	89	85	90	86	83	87	84	81	84	82	80	80	80	80	78
3	94	86	80	75	92	85	79	74	82	77	73	80	75	72	77	74	71	71	71	71	69
4	87	78	71	66	85	77	71	66	75	69	65	73	68	64	71	67	63	63	63	63	61
5	81	71	64	58	80	70	63	58	68	62	58	66	61	57	65	60	56	56	56	56	55
6	76	65	57	52	74	64	57	52	62	56	52	61	55	51	59	55	51	51	51	51	49
7	71	59	52	47	69	59	52	47	57	51	46	56	50	46	55	50	46	46	46	46	44
8	66	54	47	42	65	54	47	42	53	46	42	51	46	42	50	45	41	41	41	41	40
9	62	50	43	38	61	50	43	38	49	42	38	48	42	38	47	42	38	38	38	38	36
10	58	46	40	35	57	46	39	35	45	39	35	44	39	35	43	38	34	34	34	34	33

eaglelightingaustralia  
Member of the Fagerhult Group

[www.eaglelighting.com.au](http://www.eaglelighting.com.au)

**MELBOURNE**

Eagle Lighting VIC  
17-19 Jets Court, Melbourne Airport VIC 3045  
P. 03 9344 7444 F. 03 9344 7433

**SYDNEY**

Eagle Lighting NSW  
Unit 4, 21 Mars Road, Lane Cove NSW 2066  
P. 02 9420 5799 F. 02 9420 5988

**BRISBANE**

Eagle Lighting QLD  
53 Caswell Street, East Brisbane QLD 4169  
P. 07 3891 0744 F. 07 3891 0755

51 GF5@5B 7 5D#5@HFF+CFM  
M. 0411 889 406

8-GF-61 HCFG1 51 GF5@5

**SOUTH AUSTRALIA**

SA Lighting  
8 Hender Avenue, Magill SA 5072  
P. 08 8304 8500

**TASMANIA**

Southern Lighting & Distribution  
34 Federal Street, North Hobart TAS 7000  
P. 03 6231 5599 F. 03 6231 5211

**WESTERN AUSTRALIA**

H.I. Lighting Pty Ltd  
111 Broadway, Bassendean WA 6054  
P. 08 9377 1322 F. 08 9377 1761

**NEW ZEALAND**

Auckland  
Fagerhult New Zealand  
Level 1, 18A Neilpark Drive  
East Tamaki, Auckland 2013  
M. +64 21 655 609  
M. +64 21 509 248

Wellington  
Fagerhult New Zealand  
M. +64 21 597 900

South Island  
Fagerhult New Zealand  
P. 0800 324 374