

VERTEX AIR

INSTALLATION GUIDE

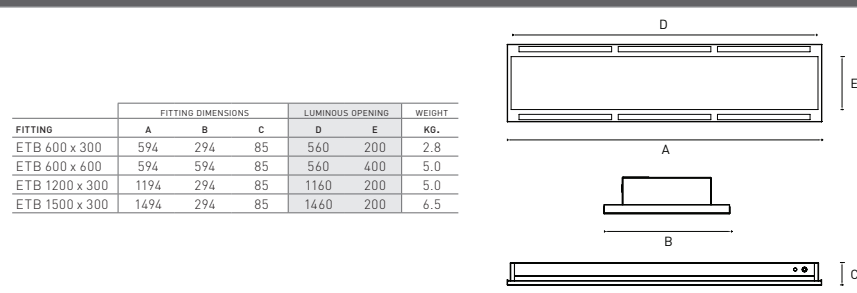
THIS GUIDE IS FOR THE FOLLOWING LUMINAIRE VARIATIONS:

- + T-Bar
- + Plaster Recessed



- + PLEASE READ THIS GUIDE CAREFULLY BEFORE INSTALLING OR MAINTAINING THIS EQUIPMENT.
- + DATA SHOULD BE USED AS AN INDICATION ONLY.
- + GOOD ELECTRICAL PRACTICES SHOULD BE FOLLOWED AT ALL TIMES.
- + MUST ONLY BE INSTALLED BY A LICENSED ELECTRICIAN.
- + IF THE EXTERNAL FLEXIBLE CABLE OR CORD OF THIS LUMINAIRE IS DAMAGED, IT SHALL BE EXCLUSIVELY REPLACED BY THE MANUFACTURER OR HIS SERVICE AGENT OR A SIMILAR QUALIFIED PERSON IN ORDER TO AVOID A HAZARD
- + FOR INDOOR USE ONLY

DIMENSIONS DIAGRAM



W	Size	Sys. lm	lm	lm/W	CRI	Code
Vertex Air Exposed T-Bar, Delta Diffused, 4000K						
12	600x300	1650	1299	107	80+	EL-VER-2100-
20	600x600	3018	2389	121	80+	EL-VER-2112-
19	1200x300	2950	2356	123	80+	EL-VER-2102-
22	1200x300	3370	2679	122	80+	EL-VER-2103-
24	1500x300	3772	2922	123	80+	EL-VER-2108-
25	1500x300	4020	3129	123	80+	EL-VER-2109-
Vertex Air Exposed T-Bar, Delta Diffused, 4000K						
18	600x300	1900	1296	73	95+	EL-VERA-2101-__
26	600x600	3350	2338	89	95+	EL-VERA-2113-__
27	1200x300	3300	2295	87	95+	EL-VERA-2105-__
30	1200x300	3600	2544	86	95+	EL-VERA-2106-__
30	1500x300	3750	2711	90	95+	EL-VERA-2110-__
34	1500x300	4200	3037	88	95+	EL-VERA-2111-__
	Seismic Restraint Kit - 4 x gripple, 2 x 2m wire					EL-ACC-210-000

SPECIFICATION

Luminaire's light distribution is direct.

Denotes which light source/light sources that can be supplied with the luminaire. Several symbols next to the same luminaire indicate that the luminaire is available in different designs.

Class I : Appliances with functioning insulation. Equipped with an earth termination.

Luminaire is available in designs for conventional emergency lighting operation.

This luminaire is not suitable for covering with thermally insulating material.

IP classification:
IP44/30 : Product is IP44 from below (in its installed position) and IP30 from the rear.

Organic Response enabled

Denotes that product is COI compliant in CRI 95+ variants

RCM indicates a device's compliance with applicable ACMA technical standards.

VERTEX AIR

INSTALLATION INSTRUCTIONS

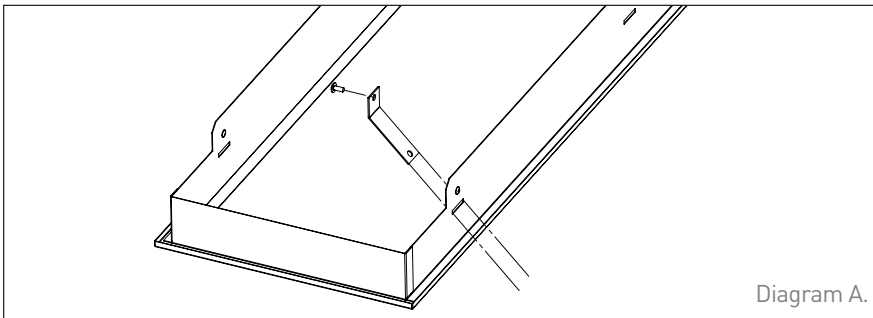
Vertex Air | T-Bar

- Step 1: Lift Vertex Air luminaire into ceiling cavity.
- Step 2: Complete electrical connection.
- Step 3: Position luminaire centrally within T-Bar.

Vertex | Plaster Recessed

The Vertex Air Plaster Recessed luminaire is shipped as two separate components: the Vertex Air luminaire and a Plaster Recessing Accessory, including mounting brackets and fasteners.

- Step 1: Cut-out the correct hole size in the ceiling for your plaster frame accessory.
- Step 2: Lift plaster frame to plaster cut-out.
- Step 3: Insert and fasten plaster recess brackets into slots (as indicated in Diagram A) to secure to the plaster ceiling.
- Step 4: Lift Vertex Air luminaire into ceiling cavity.
- Step 5: Complete electrical connection.
- Step 6: Position luminaire centrally within plaster frame accessory.



GENERAL INFORMATION

- + A qualified electrician, in accordance with AS/NZS 3000:2007 wiring regulations should carry out connection to mains wiring.
- + This unit must be EARTHED.
- + Ensure that the rated voltage and frequency requirements are compatible with the available mains supply, 220-240V 50Hz
- + Cleaning of reflectors and lenses should be carried out using clean, soft and lint free cloths and anti-static cleaning fluid.
- + Do not carry out high voltage insulation test i.e. 500/1000V this may damage the fixtures electrical components.

HEAD OFFICE | MELBOURNE

EAGLE LIGHTING VIC
17-19 Jets Court
Melbourne Airport VIC 3045
P 03 9344 7444
F 03 9344 7433

SYDNEY

EAGLE LIGHTING NSW
Unit 4, 21 Mars Road
Lane Cove NSW 2066
P 02 9420 5799
F 02 9420 5988

BRISBANE

EAGLE LIGHTING QLD
53 Caswell Street
East Brisbane QLD 4169
P 07 3891 0744
F 07 3891 0755

CANBERRA

EAGLE LIGHTING ACT
M 0411 889 406

eaglelightingaustralia
'Member of the Fagerhult Group'

EAGLE LIGHTING AUSTRALIA PTY LTD.
ABN 46 124 400 933