




# VANGUARD

## INSTALLATION GUIDE

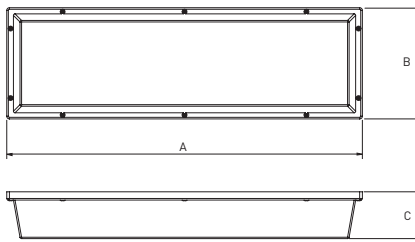
THIS GUIDE IS FOR THE FOLLOWING LUMINAIRE VARIATIONS:

- + Surface Mounted
- + Wall Mounted

- + PLEASE READ THIS GUIDE CAREFULLY BEFORE INSTALLING OR MAINTAINING THIS EQUIPMENT.
- + DATA SHOULD BE USED AS AN INDICATION ONLY.
- + GOOD ELECTRICAL PRACTICES SHOULD BE FOLLOWED AT ALL TIMES.
- + MUST ONLY BE INSTALLED BY A LICENSED ELECTRICIAN.

 **N18226**

### DIMENSIONS DIAGRAM



PRODUCT CODE	LIGHT SOURCE/DESCRIPTION	(NOM) DIMENSIONS			
		A	B	C	
VANGUARD SURFACE MOUNTED					
EL-CV822-114-100-000	1 x 14W T5	665	210	85	
EL-CV822-214-100-000	2 x 14W T5	665	210	85	
EL-CV822-214-101-000	2 x 14W T5 C/W 9W Nightlight	665	210	85	
EL-CV824-128-100-000	1 x 28W T5	1275	210	85	
EL-CV824-228-100-000	2 x 28W T5	1275	210	85	
EL-CV824-228-101-000	2 x 28W T5 C/W 9W Nightlight	1275	210	85	

## SPECIFICATION



Luminaire's light distribution is direct/indirect.



Denotes which light source/s that can be supplied with the luminaire. Several symbols next to the same luminaire indicate that the luminaire is available in different designs.



Luminaire is designed for the T5 light source's unique characteristics. The small diameter of the fluorescent lamp has created new conditions for light control.



### IP classification:

**IP44** : Protected against solid objects over 1mm (tools, wires, and small wires). Protection against splashing water from any direction (splash proof) - limited ingress permitted.



**Class I** : Appliances with functioning insulation. Equipped with an earth termination.



Luminaire is available in designs for conventional emergency lighting operation.



This luminaire is not suitable for covering with thermally insulating material.



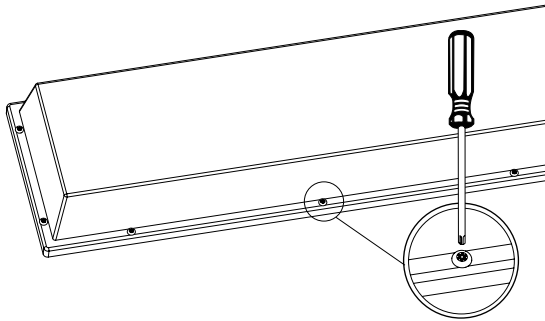
**IK10** Protected against 20 joules impact. Equivalent to impact of 5kg mass dropped from 400mm above impacted surfaces.

## INSTALLATION INSTRUCTIONS

The Vanguard luminaire is shipped as a complete luminaire.

### Vanguard | Surface Mounted & Wall Mounted

Step 1: Using torx screwdriver, release 10 x resistorx screws to remove diffuser from base.



Step 2: With diffuser removed use fitting base as template to mark out on ceiling the location for attachment.

**Note: the EL-CV824 models require six mounting slot locations.**

Step 3: Use appropriate securing devices depending on ceiling material to fasten base to ceiling surface.

Step 4: Reattach diffuser to base of fitting using 10 x resistorx screws. Ensure diffuser is flush with ceiling. **Note:** When using a cordless drill to fasten screws, ensure you are using a low torque setting.

# VANGUARD

## GENERAL INFORMATION

- + A qualified electrician, in accordance with AS/NZS 3000:2007 wiring regulations should carry out connection to mains wiring.
- + This unit must be EARTHED.
- + Ensure that the rated voltage and frequency requirements are compatible with the available mains supply, 220-240V 50Hz
- + Cleaning of reflectors and lenses should be carried out using clean, soft and lint free cloths and anti-static cleaning fluid.
- + Do not carry out high voltage insulation test i.e. 500/1000V this may damage the fixtures electrical components.

#### HEAD OFFICE | MELBOURNE EAGLE LIGHTING VIC

17-19 Jets Court  
Melbourne Airport VIC 3045  
P 03 9344 7444  
F 03 9344 7433

#### SYDNEY EAGLE LIGHTING NSW

Unit 4, 21 Mars Road  
Lane Cove NSW 2066  
P 02 9420 5799  
F 02 9420 5988

#### BRISBANE EAGLE LIGHTING QLD

53 Caswell Street  
East Brisbane QLD 4169  
P 07 3891 0744  
F 07 3891 0755

eaglelightingaustralia  
'Member of the Fagerhult Group'

EAGLE LIGHTING AUSTRALIA PTY LTD.  
ABN 46 124 400 933