

# UNO CONTINUOUS DIFFUSED

## INSTALLATION GUIDE

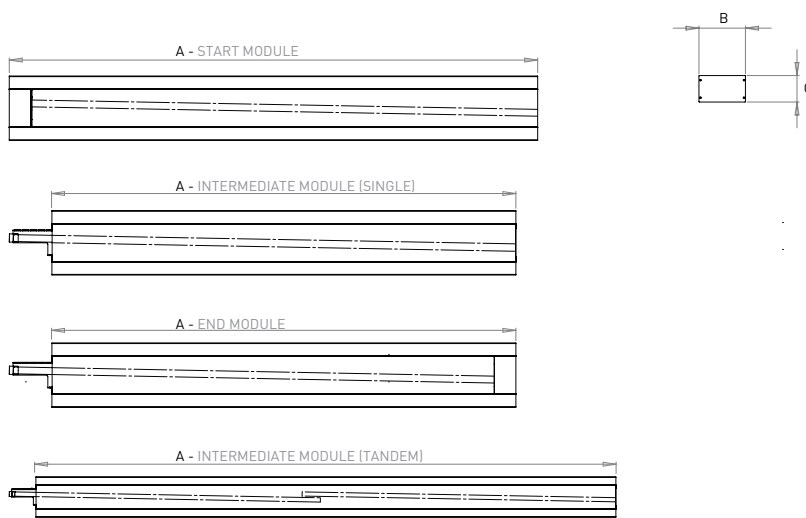
THIS GUIDE IS FOR THE FOLLOWING LUMINAIRE VARIATIONS:

- + Direct & Direct/Indirect
- + Single, Tandem

- + PLEASE READ THIS GUIDE CAREFULLY BEFORE INSTALLING OR MAINTAINING THIS EQUIPMENT.
- + DATA SHOULD BE USED AS AN INDICATION ONLY.
- + GOOD ELECTRICAL PRACTICES SHOULD BE FOLLOWED AT ALL TIMES.
- + MUST ONLY BE INSTALLED BY A LICENSED ELECTRICIAN.

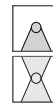


### DIMENSIONS DIAGRAM



PRODUCT CODE	LIGHT SOURCE	(NOM) DIMENSIONS			WEIGHT
		A	B	C	
<b>START SINGLE MODULE</b>					
EL-UND-128-___-000	1 x 28W	1230	150	85	
EL-UND-135-___-000	1 x 35W	1530	150	85	
<b>INTERMEDIATE SINGLE /TANDEM MODULE</b>					
EL-UND-128-___-000	1 x 28W	1080	150	85	
EL-UND-135-___-000	1 x 35W	1380	150	85	
EL-UND-228-___-000	2 x 1 x 28W	2160	150	85	
EL-UND-235-___-000	2 x 1 x 35W	2760	150	85	
<b>END SINGLE MODULE</b>					
EL-UND-128-___-000	1 x 28W	1080	150	85	
EL-UND-135-___-000	1 x 35W	1380	150	85	

## SPECIFICATION



Luminaire's light distribution is available as direct or direct/indirect, Diffused only.



Denotes which light source/light sources that can be supplied with the luminaire. Several symbols next to the same luminaire indicate that the luminaire is available in different designs.



Luminaire is designed for the T5-light source's unique characteristics. The small diameter of the fluorescent lamp has created new conditions for light control.



**IP classification:**  
IP20 : Protected against solid objects greater than 12 mm, e.g. persons fingers.



**Class I :** Appliances with functioning insulation. Equipped with an earth termination.



Luminaire can be obtained in designs with emLED.



Luminaire is available in designs for conventional emergency lighting operation.



This luminaire is not suitable for covering with thermally insulating material.

LAMP VARIATION  
**EL-UND-128-000-000**  
LIGHT DISTRIBUTION | MODULE TYPE | COLOUR

LIGHT DISTRIBUTION	SUFFIX
Single Direct	- 1 __
Single Direct/Indirect	- 2 __
Tandem Direct	- 3 __
Tandem Direct/Indirect	- 4 __
MODULE TYPE	SUFFIX
Start	- _ 1 _
Intermediate	- _ 2 _
End	- _ 3 _
COLOUR VARIATION	SUFFIX
White	- __ 0
Grey	- __ 1
Black	- __ 2

# UNO CONTINUOUS DIFFUSED

## INSTALLATION INSTRUCTIONS

Uno Continuous Diffused luminaires are shipped as complete modules. Accessories required to complete installations are ordered separately.

- + For best final result, light module/s should be installed individually using appropriate joining accessories where necessary. Prior to installation and suspension remove any of following: diffuser/s, white reflector and lamp/s
- + For power termination use the large terminal cup, for all other suspension points use the small cup.
- + Suspension points should be spaced at 1.2m approximate spacings prior to suspending light module/s

Step 1: To prepare light module/s for suspension, slide Y-Fit End Stop into channels on module/s as indicated in Diagram A.

Step 2: Lift light modules to suspension individually.  
Suspend module by inserting wire through Y-Fit barrel, adjusting balance of module to suit using grub screw.

Step 3: To join modules, the appropriate WAP accessory should be fitted to light modules prior to suspension. To fit WAP, locating pins should be installed as indicated in Diagram B (circled).  
Connect and terminate one end of Wire Harness to terminal block.

Step 4: Once one module is fully suspended, complete joining of secondary module by bringing suspended lighting modules together.  
Align using inserted locating pins.

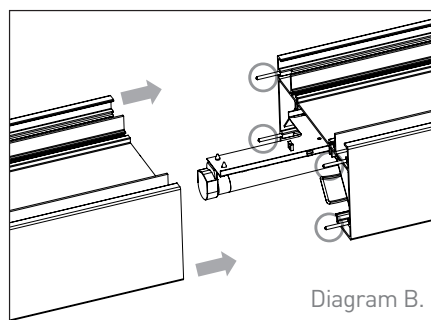
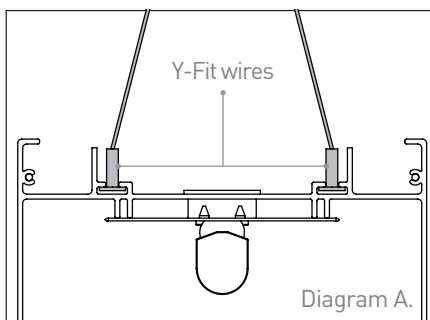
Step 5: To complete join, close the locking latches.  
Terminate the wire harness to adjoining module.

- + Repeat Steps 3–5 above as required for additional modules.

Step 6: To terminate the power suspension point, insert power cable through cable entry, complete the electrical connection.

Step 7: Fit End Plate accessory.

Step 8: Refit lamp/s and any of following: white reflector, diffuser/s.



## GENERAL INFORMATION

- + A qualified electrician, in accordance with AS/NZS 3000:2007 wiring regulations should carry out connection to mains wiring.
- + This unit must be EARTHED.
- + Ensure that the rated voltage and frequency requirements are compatible with the available mains supply, 220-240V 50Hz
- + Cleaning of reflectors and lenses should be carried out using clean, soft and lint free cloths and anti-static cleaning fluid.
- + Do not carry out high voltage insulation test i.e. 500/1000V this may damage the fixtures electrical components.