



UNO BETA & DIFFUSED

INSTALLATION GUIDE

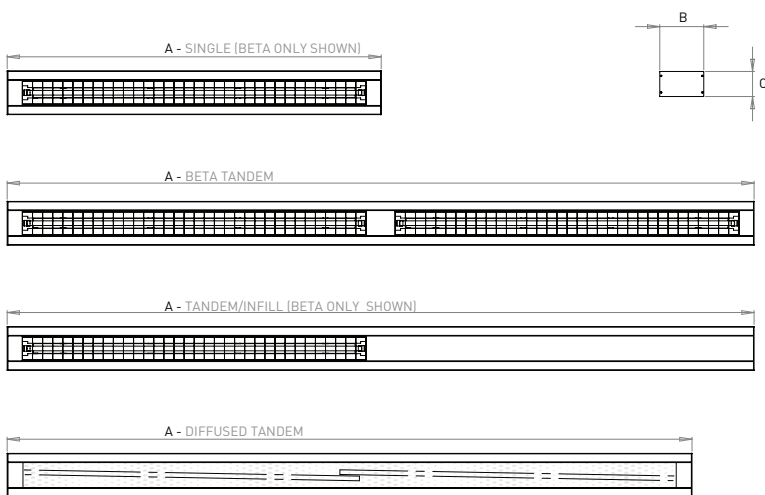
THIS GUIDE IS FOR THE FOLLOWING LUMINAIRE VARIATIONS:

- + Direct & Direct/Indirect
- + Single, Tandem & Infill

- + PLEASE READ THIS GUIDE CAREFULLY BEFORE INSTALLING OR MAINTAINING THIS EQUIPMENT.
- + DATA SHOULD BE USED AS AN INDICATION ONLY.
- + GOOD ELECTRICAL PRACTICES SHOULD BE FOLLOWED AT ALL TIMES.
- + MUST ONLY BE INSTALLED BY A LICENSED ELECTRICIAN.

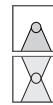


DIMENSIONS DIAGRAM



LIGHT SOURCE	TYPE	LAMP	DISTRIBUTION & COLOUR	(NOM) DIMENSIONS			WEIGHT
				A	B	C	
SINGLE MODULE INSTALLATION				BETA	DIFFUSED		
1 x 14W	EL-UN_	-114	-_0_-000	680	680	150	85
1 x 28W	EL-UN_	-128	-_0_-000	1280	1280	150	85
1 x 35W	EL-UN_	-135	-_0_-000	1580	1580	150	85
2 x 14W	EL-UN_	-214	-_0_-000	680	680	150	85
2 x 28W	EL-UN_	-228	-_0_-000	1280	1280	150	85
2 x 35W	EL-UN_	-235	-_0_-000	1580	1580	150	85
TANDEM MODULE INSTALLATION							
2 x 1 x 28W	EL-UN_	-228	-_0_-000	2560	2340	150	85
2 x 1 x 35W	EL-UN_	-235	-_0_-000	3160	2940	150	85
TANDEM MODULE LAMPS-INFILL INSTALLATION							
1 x 28W	EL-UN_	-128	-_0_-000	2560	2560	150	85
1 x 35W	EL-UN_	-135	-_0_-000	3160	3160	150	85
2 x 28W	EL-UN_	-228	-_0_-000	2560	2560	150	85
2 x 35W	EL-UN_	-235	-_0_-000	3160	3160	150	85

SPECIFICATION



Beta & Diffused Luminaire's light distribution is available as direct or direct/indirect.



Denotes which light source/light sources that can be supplied with the luminaire. Several symbols next to the same luminaire indicate that the luminaire is available in different designs.



Luminaire is designed for the T5-light source's unique characteristics. The small diameter of the fluorescent lamp has created new conditions for light control.



IP classification:

IP20 : Protected against solid objects greater than 12 mm, e.g. persons fingers.



Class I : Appliances with functioning insulation. Equipped with an earth termination.



Luminaire can be obtained in designs with emLED.



Luminaire is available in designs for conventional emergency lighting operation.



This luminaire is not suitable for covering with thermally insulating material.

EL-UN^{LAMP}0-114-000-000^{VARIATION}
LUMINAIRE TYPE | **LIGHT DISTRIBUTION** | **COLOUR**

LUMINAIRE TYPE	SUFFIX
Beta	EL-UNB
Diffused	EL-UND
LIGHT DISTRIBUTION	SUFFIX
Single Direct	-10_
Single Direct/Indirect	-20_
Tandem Direct	-30_
Tandem Direct/Indirect	-40_
Tandem-Infill Direct	-50_
Tandem-Infill Direct/Indirect	-60_
COLOUR VARIATION	SUFFIX
White	__00
Grey	__01
Black	__02

INSTALLATION INSTRUCTIONS

Uno Beta & Diffused luminaires are shipped as complete modules.
Accessories required to complete installations are ordered separately.

- + For best final result, light module/s should be installed individually using appropriate joining accessories where necessary. Prior to installation and suspension remove any of following: louvre/s, in-fill, diffuser/s, white reflector and lamp/s
- + For power termination use the large terminal cup, for all other suspension points use the small cup.
- + Suspension points should be spaced at 1.2m approximate spacings prior to suspending light module/s

Step 1: To prepare light module/s for suspension, slide Y-Fit End Stop into channels on module/s as indicated in Diagram A.

Step 2: Lift light modules to suspension individually.
Suspend module by inserting wire through Y-Fit barrel, adjusting balance of module to suit using grub screw.

- + If joining more than one light module please follow Steps 3–5 below, otherwise continue to Step 6 to complete installation.

Step 3: To join modules, the appropriate WAP accessory should be fitted to light modules prior to suspension. To fit WAP, locating pins should be installed as indicated in Diagram B (circled).
Connect and terminate one end of Wire Harness to terminal block.

Step 4: Once one module is fully suspended, complete joining of secondary module by bringing suspended lighting modules together.
Align using inserted locating pins.

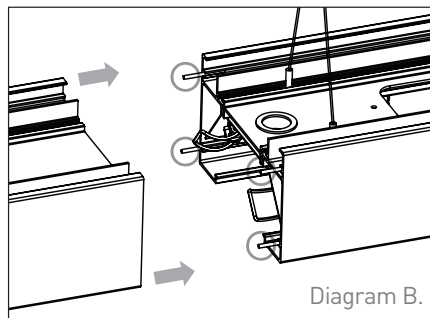
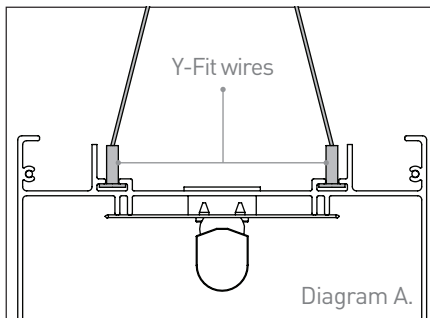
Step 5: To complete join, close the locking latches.
Terminate the wire harness to adjoining module.

- + Repeat Steps 3–5 above as required for additional modules.

Step 6: To terminate the power suspension point, insert power cable through cable entry, complete the electrical connection.

Step 7: Fit End Plate accessory.

Step 8: Refit lamp/s and any of following: white reflector, diffuser/s, in-fill, louvre/s.



GENERAL INFORMATION

- + A qualified electrician, in accordance with AS/NZS 3000:2007 wiring regulations should carry out connection to mains wiring.
- + This unit must be EARTHED.
- + Ensure that the rated voltage and frequency requirements are compatible with the available mains supply, 220-240V 50Hz
- + Cleaning of reflectors and lenses should be carried out using clean, soft and lint free cloths and anti-static cleaning fluid.
- + Do not carry out high voltage insulation test i.e. 500/1000V this may damage the fixtures electrical components.

HEAD OFFICE | MELBOURNE

EAGLE LIGHTING VIC

17-19 Jets Court
Melbourne Airport VIC 3045
P 03 9344 7444
F 03 9344 7433

SYDNEY

EAGLE LIGHTING NSW

Unit 4, 21 Mars Road
Lane Cove NSW 2066
P 02 9420 5799
F 02 9420 5988

BRISBANE

EAGLE LIGHTING QLD

53 Caswell Street
East Brisbane QLD 4169
P 07 3891 0744
F 07 3891 0755

CANBERRA

EAGLE LIGHTING ACT

M 0411 889 406