



# PENTAIR G2

## INSTALLATION GUIDE

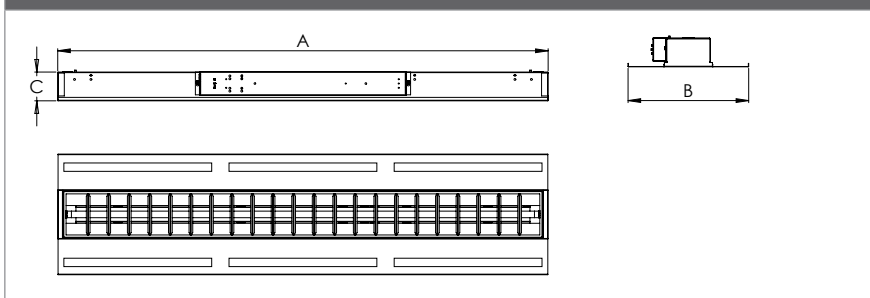
THIS GUIDE IS FOR THE FOLLOWING LUMINAIRE VARIATIONS:

- + T-Bar
- + Plaster Recessed

- + PLEASE READ THIS GUIDE CAREFULLY BEFORE INSTALLING OR MAINTAINING THIS EQUIPMENT.
- + DATA SHOULD BE USED AS AN INDICATION ONLY.
- + GOOD ELECTRICAL PRACTICES SHOULD BE FOLLOWED AT ALL TIMES.
- + MUST ONLY BE INSTALLED BY A LICENSED ELECTRICIAN.

 **N18226**

### DIMENSIONS DIAGRAM



PRODUCT CODE	LIGHT SOURCE/DESCRIPTION	[NOM] DIMENSIONS					CUTOUT	WEIGHT
		A	B	C				
PENTAIR G2 EXPOSED T-BAR								
EL-PA2-128-100-___	1 x 28W T5	1200	300	65				
EL-PA2-228-100-___	2 x 28W T5	1200	300	65				
EL-PA2-214-100-___	2 x 14W T5	600	300	65				
EL-PA2-314-100-___	3 x 14W T5	600	600	65				
EL-PA2-414-100-___	4 x 14W T5	600	600	65				

## SPECIFICATION



Luminaire's light distribution is direct.



Denotes which light source/light sources that can be supplied with the luminaire. Several symbols next to the same luminaire indicate that the luminaire is available in different designs.



Luminaire is designed for the T5-light source's unique characteristics. The small diameter of the fluorescent lamp has created new conditions for light control.



### IP classification:

IP20 : Protected against solid objects greater than 12 mm, e.g. persons fingers.



**Class I** : Appliances with functioning insulation. Equipped with an earth termination.



Luminaire can be obtained in designs with emLED.



Luminaire is available in designs for conventional emergency lighting operation.



Luminaire may be installed against materials that are normally combustible.

VARIATION	SUFFIX
Standard	-000
DSI/STD terminal block	-100
DALI/STD terminal block	-200
1-10V/STD terminal block	-300
Standard/Fused terminal block	-400
DSI/Fused terminal block	-500
DALI/Fused terminal block	-600
1-10V/Fused terminal block	-700

# PENTAIR G2

## INSTALLATION INSTRUCTIONS

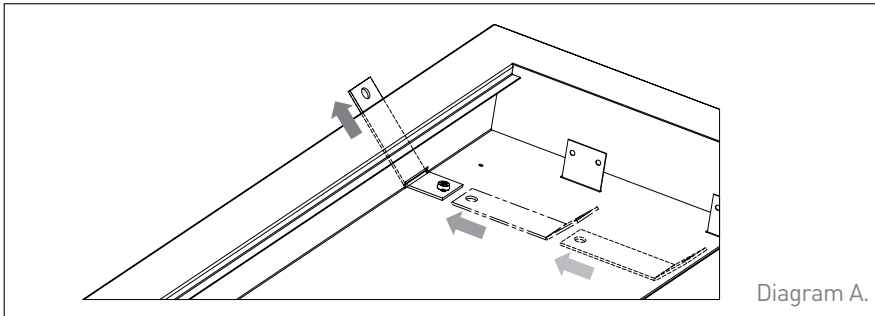
The Pentair G2 luminaire is shipped as a complete luminaire with the exception of Plaster Recessed variations only, which come with additional brackets and fasteners.

### Pentair | T-Bar

- Step 1: Lift Pentair luminaire into ceiling cavity.
- Step 2: Complete electrical connection.
- Step 3: Position luminaire centrally within T-Bar.
- Step 4: Ensure lamp is fitted correctly.

### Pentair | Plaster Recessed

- Step 1: Cut-out the correct hole size in the ceiling for your Pentair luminaire.
- Step 2: Remove louvre/s and lamp/s from luminaire.
- Step 3: Lift luminaire to plaster cut-out.
- Step 4: Make electrical connection then insert rear of luminaire into cutout until outer flange is fitted against the ceiling surface.
- Step 5: Insert and fasten Plaster Recessed brackets into slots as indicated in Diagram A. Ensure fasteners are not overtightened.
- Step 6: Refit lamp/s and louvre/s into luminaire.



## GENERAL INFORMATION

- + A qualified electrician, in accordance with AS/NZS 3000:2007 wiring regulations should carry out connection to mains wiring.
- + This unit must be EARTHED.
- + Ensure that the rated voltage and frequency requirements are compatible with the available mains supply, 220-240V 50Hz
- + Cleaning of reflectors and lenses should be carried out using clean, soft and lint free cloths and anti-static cleaning fluid.
- + Do not carry out high voltage insulation test i.e. 500/1000V this may damage the fixtures electrical components.

### HEAD OFFICE | MELBOURNE

EAGLE LIGHTING VIC

17-19 Jets Court  
Melbourne Airport VIC 3045  
P 03 9344 7444  
F 03 9344 7433

### SYDNEY

EAGLE LIGHTING NSW

Unit 4, 21 Mars Road  
Lane Cove NSW 2066  
P 02 9420 5799  
F 02 9420 5988

### BRISBANE

EAGLE LIGHTING QLD

53 Caswell Street  
East Brisbane QLD 4169  
P 07 3891 0744  
F 07 3891 0755

### ADELAIDE

EAGLE LIGHTING SA

M 0411 721 296  
M 0411 889 406  
F 03 9344 7433

eaglelightingaustralia

Member of the Fagerhult Group

EAGLE LIGHTING AUSTRALIA PTY LTD.  
ABN 46 124 400 933