

PENTA G2

INSTALLATION GUIDE

THIS GUIDE IS FOR THE FOLLOWING LUMINAIRE VARIATIONS:

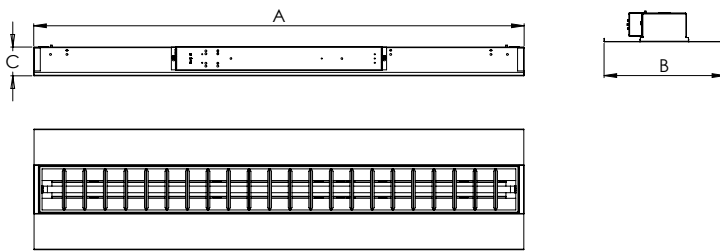
- + T-Bar
- + Surface Mounted
- + Plaster Recessed



- + PLEASE READ THIS GUIDE CAREFULLY BEFORE INSTALLING OR MAINTAINING THIS EQUIPMENT.
- + DATA SHOULD BE USED AS AN INDICATION ONLY.
- + GOOD ELECTRICAL PRACTICES SHOULD BE FOLLOWED AT ALL TIMES.
- + MUST ONLY BE INSTALLED BY A LICENSED ELECTRICIAN.

N18226

DIMENSIONS DIAGRAM



PRODUCT CODE	LIGHT SOURCE/DESCRIPTION	[NOM] DIMENSIONS				
		A	B	C	CUTOUT	
PENTA G2 EXPOSED T-BAR						
EL-PG2-114-100-___	1 x 14W T5	600	300	65		
EL-PG2-114-101-___	1 x 14W T5	600	150	65		
EL-PG2-128-100-___	1 x 28W T5	1200	300	65		
EL-PG2-128-101-___	1 x 28W T5	1200	150	65		
EL-PG2-228-100-___	2 x 28W T5	1200	300	65		
EL-PG2-214-100-___	2 x 14W T5	600	300	65		
EL-PG2-314-100-___	3 x 14W T5	600	600	65		
EL-PG2-414-100-___	4 x 14W T5	600	600	65		
PENTA G2 PLASTER RECESSED						
EL-PG2-128-102-___	1 x 28W T5	1250	300	65	1225	155
EL-PG2-228-102-___	2 x 28W T5	1250	300	65	1225	275
EL-PG2-214-102-___	2 x 14W T5	650	300	65	1225	275
EL-PG2-314-102-___	3 x 14W T5	650	450	65	615	575
EL-PG2-414-102-___	4 x 14W T5	650	610	65	615	575
PENTA G2 SURFACE MOUNTED						
EL-PG2-114-103-___	1 x 14W T5	600	150	65		
EL-PG2-128-104-___	1 x 28W T5	1200	150	65		
EL-PG2-228-104-___	2 x 28W T5	1200	270	65		

SPECIFICATION



Luminaire's light distribution is direct.



Denotes which light source/light sources that can be supplied with the luminaire. Several symbols next to the same luminaire indicate that the luminaire is available in different designs.



Luminaire is designed for the T5-light source's unique characteristics. The small diameter of the fluorescent lamp has created new conditions for light control.



IP classification:

IP20 : Protected against solid objects greater than 12 mm, e.g. persons fingers.



Class I : Appliances with functioning insulation. Equipped with an earth termination.



Luminaire can be obtained in designs with emLED.



Luminaire is available in designs for conventional emergency lighting operation.



Luminaire may be installed against materials that are normally combustible.

VARIATION	SUFFIX
Standard	-000
DSI/STD terminal block	-100
DALI/STD terminal block	-200
1-10V/STD terminal block	-300
Standard/Fused terminal block	-400
DSI/Fused terminal block	-500
DALI/Fused terminal block	-600
1-10V/Fused terminal block	-700

PENTA G2

INSTALLATION INSTRUCTIONS

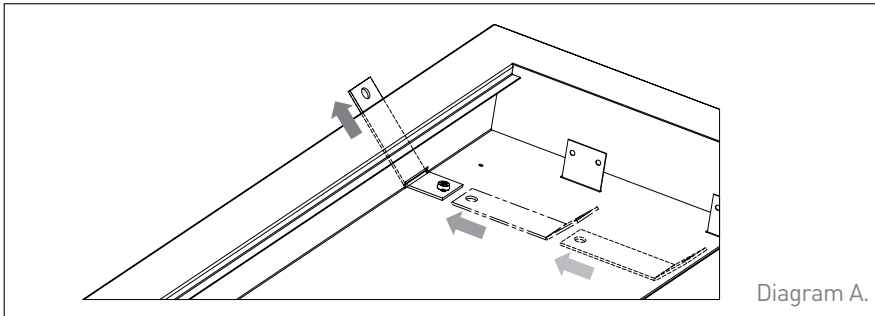
The Penta G2 luminaire is shipped as a complete luminaire with the exception of Plaster Recessed variations only, which come with additional brackets and fasteners.

Penta | T-Bar

- Step 1: Lift Multifive luminaire into ceiling cavity.
- Step 2: Complete electrical connection.
- Step 3: Position luminaire centrally within T-Bar.
- Step 4: Ensure lamp is fitted correctly.

Penta | Plaster Recessed

- Step 1: Cut-out the correct hole size in the ceiling for your Penta luminaire.
- Step 2: Remove louvre/s and lamp/s from luminaire.
- Step 3: Lift luminaire to plaster cut-out.
- Step 4: Make electrical connection then insert rear of luminaire into cutout until outer flange is fitted against the ceiling surface.
- Step 5: Insert and fasten Plaster Recessed brackets into slots as indicated in Diagram A. Ensure fasteners are not overtightened.
- Step 6: Refit lamp/s and louvre/s into luminaire.



Penta | Surface Mounted

Note: Surface Mounted Penta luminaires must be hard wired.

- Step 1: Remove louvre/s and lamp/s from luminaire.
- Step 2: Lift luminaire to ceiling, feeding supply cable through cable entry hole
- Step 3: Secure fitting onto mounting surface with appropriate fasteners (not supplied) to suit mounting substrate.
- Step 4: Complete electrical connection
- Step 5: Refit lamp/s and louvre/s into luminaire.

GENERAL INFORMATION

- + A qualified electrician, in accordance with AS/NZS 3000:2007 wiring regulations should carry out connection to mains wiring.
- + This unit must be EARTHED.
- + Ensure that the rated voltage and frequency requirements are compatible with the available mains supply, 220-240V 50Hz
- + Cleaning of reflectors and lenses should be carried out using clean, soft and lint free cloths and anti-static cleaning fluid.
- + Do not carry out high voltage insulation test i.e. 500/1000V this may damage the fixtures electrical components.