



# MULTIFIVE G2

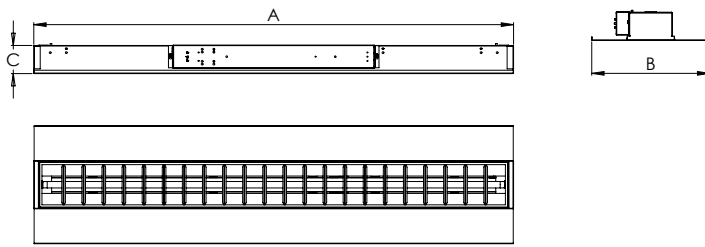
## INSTALLATION GUIDE

THIS GUIDE IS FOR THE FOLLOWING LUMINAIRE VARIATIONS:

- + Exposed T-Bar
- + Surface Mounted
- + Plaster Recessed

- + PLEASE READ THIS GUIDE CAREFULLY BEFORE INSTALLING OR MAINTAINING THIS EQUIPMENT.
- + DATA SHOULD BE USED AS AN INDICATION ONLY.
- + GOOD ELECTRICAL PRACTICES SHOULD BE FOLLOWED AT ALL TIMES.
- + MUST ONLY BE INSTALLED BY A LICENSED ELECTRICIAN.

### DIMENSIONS DIAGRAM



PRODUCT CODE	LIGHT SOURCE/DESCRIPTION	[NOM] DIMENSIONS				
		A	B	C	CUTOUT	WEIGHT
<b>MULTIFIVE G2 EXPOSED T-BAR</b>						
EL-25480-114-101-000	1 x 14W T5	600	300	75		
EL-25482-214-100-000	2 x 14W T5	600	300	75		
EL-25483-314-100-000	3 x 14W T5	600	600	75		
EL-25484-414-100-000	4 x 14W T5	600	600	75		
EL-25485-128-100-000	1 x 28W T5	1200	150	75		
EL-25485-128-101-000	1 x 28W T5	1200	300	75		
EL-25487-228-100-000	2 x 28W T5	1200	300	75		
EL-25488-135-102-000	1 x 35W T5	1500	300	75		
<b>MULTIFIVE G2 PLASTER RECESSED</b>						
EL-25480-114-105-000	1 x 14W T5	650	300	75	615	155
EL-25482-214-102-000	2 x 14W T5	650	300	75	615	275
EL-25485-128-103-000	1 x 28W T5	1250	300	75	1225	155
EL-25487-228-102-000	2 x 28W T5	1250	300	75	1225	275
EL-25488-135-103-000	1 x 35W T5	1550	300	75	1525	155
<b>MULTIFIVE G2 SURFACE MOUNTED</b>						
EL-25485-128-104-000	1 x 28W T5 Single Cell	1200	150	75		
EL-25487-228-104-000	2 x 28W T5 Twin Cell	1200	270	75		
EL-25486-228-105-000	2 x 28W T5 Single Cell	1200	150	75		
EL-25488-135-104-000	1 x 35W T5 Single Cell	1500	150	75		

## SPECIFICATION



Luminaire's light distribution is direct.



Denotes which light source/light sources that can be supplied with the luminaire. Several symbols next to the same luminaire indicate that the luminaire is available in different designs.



Luminaire is designed for the T5-light source's unique characteristics. The small diameter of the fluorescent lamp has created new conditions for light control.



### IP classification:

IP20 : Protected against solid objects greater than 12 mm, e.g. persons fingers.



**Class I** : Appliances with functioning insulation. Equipped with an earth termination.



Luminaire can be obtained in designs with emLED.



Luminaire is available in designs for conventional emergency lighting operation.



This luminaire is not suitable for covering with thermally insulating material.



RCM indicates a device's compliance with applicable ACMA technical standards.

# MULTIFIVE G2

## INSTALLATION INSTRUCTIONS

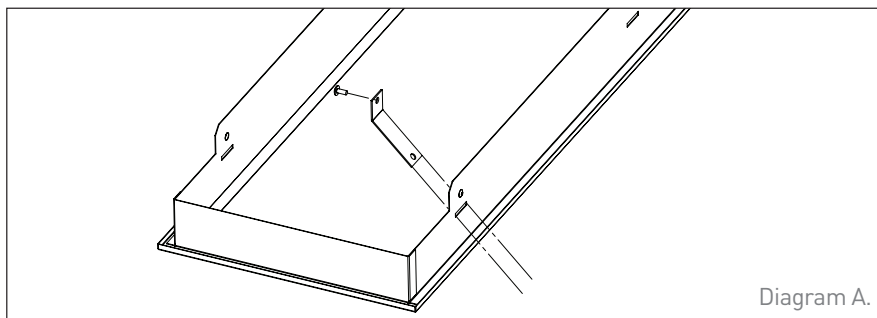
The Multifive G2 luminaire is shipped as a complete luminaire with the exception of Plaster Recessed variations only, which come with additional brackets and fasteners.

### Multifive G2 | T-Bar

- Step 1: Lift Multifive luminaire into ceiling cavity.
- Step 2: Complete electrical connection.
- Step 3: Position luminaire centrally within T-Bar.
- Step 4: Ensure lamp is fitted correctly.

### Multifive G2 | Plaster Recessed

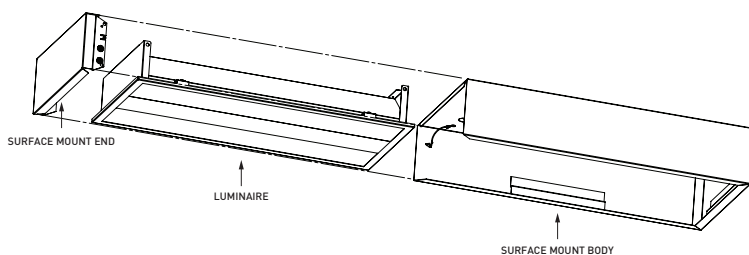
- Step 1: Cut-out the correct hole size in the ceiling for your Multifive luminaire.
- Step 2: Remove louvre/s and lamp/s from luminaire.
- Step 3: Lift luminaire to plaster cut-out.
- Step 4: Make electrical connection then insert rear of luminaire into cutout until outer flange is fitted against the ceiling surface.
- Step 5: Insert and fasten Plaster Recessed brackets into slots as indicated in Diagram A. Ensure fasteners are not overtightened.
- Step 6: Refit lamp/s and louvre/s into luminaire.



### Multifive G2 | Surface Mounted

**Note:** Surface Mounted Multifive luminaires must be hard wired.

- Step 1: Lift surface mounting body to ceiling, feeding the supply cable through the cable entry hole.
- Step 2: Secure the body onto the mounting surface with appropriate fasteners (not supplied) to suit mounting substrate.
- Step 3: Complete electrical connection.
- Step 4: Slide the Multifive G2 luminaire into the surface mounted body and connect the earth lanyard to the end.
- Step 5: Slide the end into the surface mount body.



## GENERAL INFORMATION

- + A qualified electrician, in accordance with AS/NZS 3000:2007 wiring regulations should carry out connection to mains wiring.
- + This unit must be EARTHED.
- + Ensure that the rated voltage and frequency requirements are compatible with the available mains supply, 220-240V 50Hz
- + Cleaning of reflectors and lenses should be carried out using clean, soft and lint free cloths and anti-static cleaning fluid.
- + Do not carry out high voltage insulation test i.e. 500/1000V this may damage the fixtures electrical components.