

MULTIFIVE AIR G2

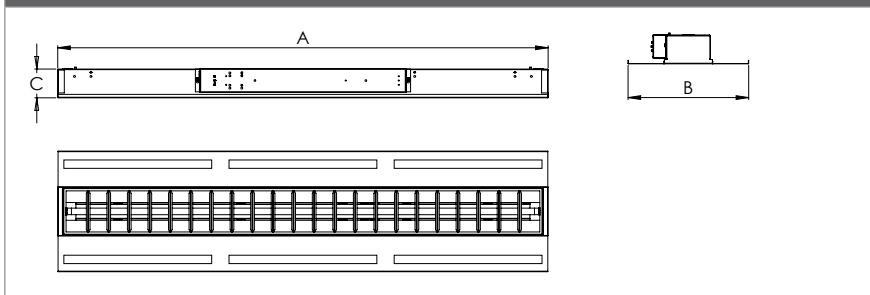
INSTALLATION GUIDE

THIS GUIDE IS FOR THE FOLLOWING LUMINAIRE VARIATIONS:

- + T-Bar
- + Plaster Recessed

- + PLEASE READ THIS GUIDE CAREFULLY BEFORE INSTALLING OR MAINTAINING THIS EQUIPMENT.
- + DATA SHOULD BE USED AS AN INDICATION ONLY.
- + GOOD ELECTRICAL PRACTICES SHOULD BE FOLLOWED AT ALL TIMES.
- + MUST ONLY BE INSTALLED BY A LICENSED ELECTRICIAN.

DIMENSIONS DIAGRAM



| PRODUCT CODE | LIGHT SOURCE/DESCRIPTION | [NOM] DIMENSIONS | | | | |
|--------------------------------|--------------------------|------------------|-----|----|--------|--------|
| | | A | B | C | CUTOUT | WEIGHT |
| MULTIFIVE AIR G2 EXPOSED T-BAR | | | | | | |
| EL-25480LA-114-101-__ | 1 x 14W T5 | 600 | 300 | 75 | | |
| EL-25482LA-214-100-__ | 2 x 14W T5 | 600 | 300 | 75 | | |
| EL-25483LA-314-100-__ | 3 x 14W T5 | 600 | 600 | 75 | | |
| EL-25484LA-414-100-__ | 4 x 14W T5 | 600 | 600 | 75 | | |
| EL-25485LA-128-101-__ | 1 x 28W T5 | 1200 | 300 | 75 | | |
| EL-25487LA-228-100-__ | 2 x 28W T5 | 1200 | 300 | 75 | | |
| EL-25488LA-135-102-__ | 1 x 35W T5 | 1500 | 300 | 75 | | |

SPECIFICATION



Luminaire's light distribution is direct.



Denotes which light source/light sources that can be supplied with the luminaire. Several symbols next to the same luminaire indicate that the luminaire is available in different designs.



Luminaire is designed for the T5-light source's unique characteristics. The small diameter of the fluorescent lamp has created new conditions for light control.



IP classification:

IP20 : Protected against solid objects greater than 12 mm, e.g. persons fingers.



Class I : Appliances with functioning insulation. Equipped with an earth termination.



Luminaire can be obtained in designs with emLED.



Luminaire is available in designs for conventional emergency lighting operation.



This luminaire is not suitable for covering with thermally insulating material.



RCM indicates a device's compliance with applicable ACMA technical standards.

MULTIFIVE AIR G2

INSTALLATION INSTRUCTIONS

The Multifive Air G2 luminaire is shipped as a complete luminaire with the exception of Plaster Recessed variations only, which come with additional brackets and fasteners.

Multifive | T-Bar

- Step 1: Lift Multifive luminaire into ceiling cavity.
- Step 2: Complete electrical connection.
- Step 3: Position luminaire centrally within T-Bar.
- Step 4: Ensure lamp is fitted correctly.

Multifive | Plaster Recessed

- Step 1: Cut-out the correct hole size in the ceiling for your Multifive luminaire.
- Step 2: Remove louvre/s and lamp/s from luminaire.
- Step 3: Lift luminaire to plaster cut-out.
- Step 4: Make electrical connection then insert rear of luminaire into cutout until outer flange is fitted against the ceiling surface.
- Step 5: Insert and fasten Plaster Recessed brackets into slots as indicated in Diagram A. Ensure fasteners are not overtightened.
- Step 6: Refit lamp/s and louvre/s into luminaire.

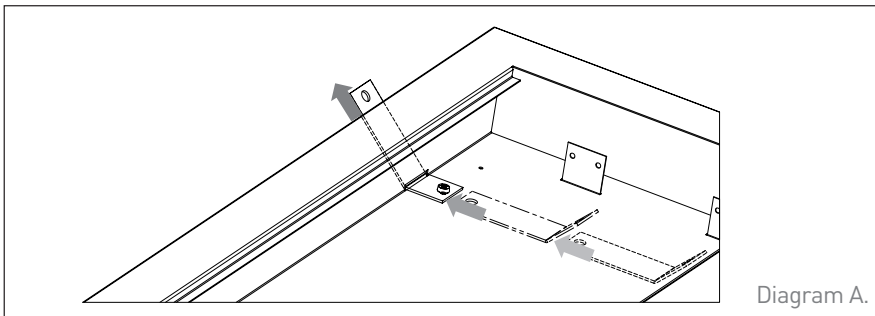


Diagram A.

GENERAL INFORMATION

- + A qualified electrician, in accordance with AS/NZS 3000:2007 wiring regulations should carry out connection to mains wiring.
- + This unit must be EARTHED.
- + Ensure that the rated voltage and frequency requirements are compatible with the available mains supply, 220-240V 50Hz
- + Cleaning of reflectors and lenses should be carried out using clean, soft and lint free cloths and anti-static cleaning fluid.
- + Do not carry out high voltage insulation test i.e. 500/1000V this may damage the fixtures electrical components.

HEAD OFFICE | MELBOURNE
EAGLE LIGHTING VIC

17-19 Jets Court
Melbourne Airport VIC 3045
P 03 9344 7444
F 03 9344 7433

SYDNEY
EAGLE LIGHTING NSW

Unit 4, 21 Mars Road
Lane Cove NSW 2066
P 02 9420 5799
F 02 9420 5988

BRISBANE
EAGLE LIGHTING QLD

53 Caswell Street
East Brisbane QLD 4169
P 07 3891 0744
F 07 3891 0755

CANBERRA
EAGLE LIGHTING ACT

M 0411 889 406

eaglelightingaustralia
'Member of the Fagerhult Group'

EAGLE LIGHTING AUSTRALIA PTY LTD.
ABN 46 124 400 933