



ENVIRO DIFFUSED

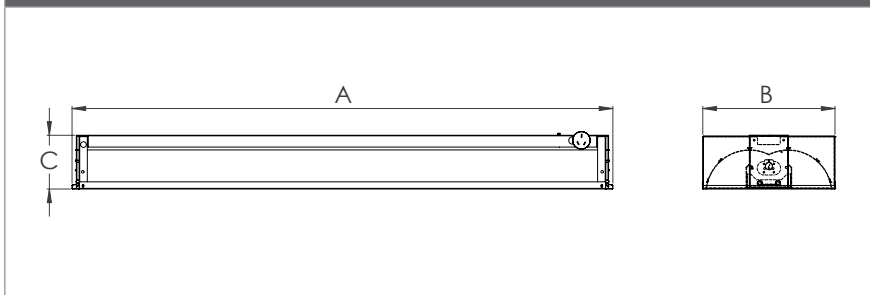
INSTALLATION GUIDE

THIS GUIDE IS FOR THE FOLLOWING LUMINAIRE VARIATIONS:

- + Exposed T-Bar

- + PLEASE READ THIS GUIDE CAREFULLY BEFORE INSTALLING OR MAINTAINING THIS EQUIPMENT.
- + DATA SHOULD BE USED AS AN INDICATION ONLY.
- + GOOD ELECTRICAL PRACTICES SHOULD BE FOLLOWED AT ALL TIMES.
- + MUST ONLY BE INSTALLED BY A LICENSED ELECTRICIAN.

DIMENSIONS DIAGRAM



PRODUCT CODE	LIGHT SOURCE/DESCRIPTION	(NOM) DIMENSIONS		
		A	B	C
ENVIRO DIFFUSED				
EL-END-114-_00-000	1 x 14W T-BAR	600	300	120
EL-END-128-_00-000	1 x 28W T-BAR	1200	300	120
EL-END-124-_00-000	1 x 24W T-BAR	600	300	120
EL-END-154-_00-000	1 x 54W T-BAR	1200	300	120

SPECIFICATION

- Luminaire's light distribution is direct/indirect.
- Denotes which light source/light sources that can be supplied with the luminaire. Several symbols next to the same luminaire indicate that the luminaire is available in different designs.
- Luminaire is designed for the T5-light source's unique characteristics. The small diameter of the fluorescent lamp has created new conditions for light control.
- IP classification:**
IP20 : Protected against solid objects greater than 12 mm, e.g. persons fingers.
- Class I :** Appliances with functioning insulation. Equipped with an earth termination.
- Luminaire can be obtained in designs with emLED.
- Luminaire is available in designs for conventional emergency lighting operation.
- This luminaire is not suitable for covering with thermally insulating material
- RCM indicates a device's compliance with applicable ACMA technical standards.

WEIGHT: 5.5Kg (Nominal size 1200x300)

DIFFUSER VARIATIONS	SUFFIX
Y5	-2__
Delta	-8__

ENVIRO DIFFUSED

INSTALLATION INSTRUCTIONS

Enviro Diffused luminaire is shipped as four separate components:

1. Enviro Body (comes with lamp fitted).
2. Diffuser Housing Basket.
3. Diffuser.
4. Housing Basket Magnets – 1200mm luminaire includes 6 magnets.
– 600mm luminaire includes 4 magnets.

Enviro | T-Bar

Step 1: Lift Enviro Body into ceiling cavity.

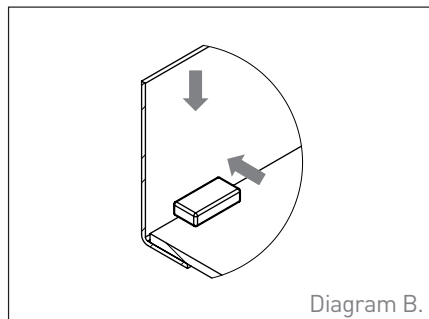
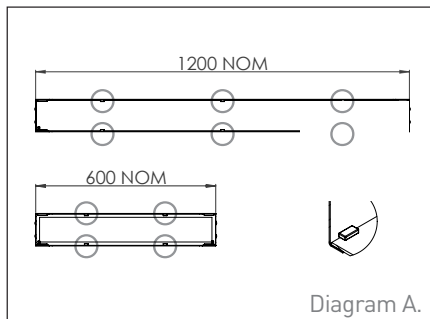
Step 2: Complete electrical connection.

Step 3: Position Enviro Body centrally within T-Bar.

Step 4: Ensure lamp is fitted correctly.

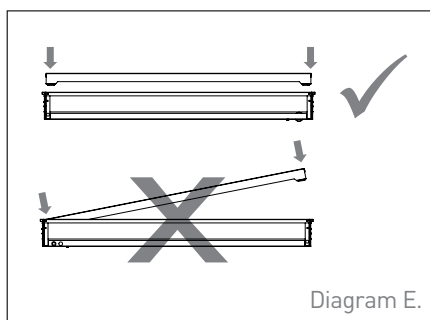
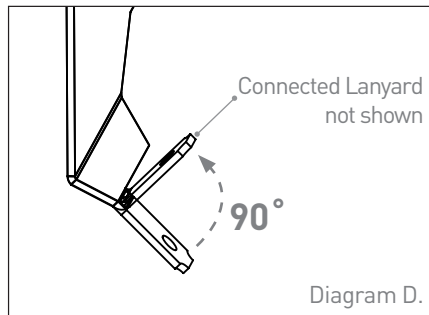
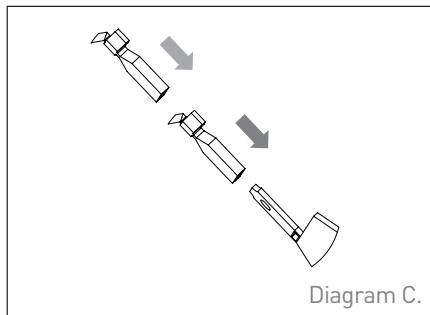
Step 5: Insert Diffuser into Diffuser Housing Basket.

Step 6: Insert Magnets into the Housing Basket at the approximate placings as indicated in Diagram A by [O]. Ensure Magnets are placed according to Diagram B.



Step 7: Lift assembled Housing Basket to installed Enviro Body, and connect lanyards located at both ends of Body. Refer Diagram C. Bend connected lanyard tab 90° internally (towards lamp). Refer Diagram D.

Step 8: Place Basket evenly into Body as per Diagram E. Ensure the Housing Basket dimples are located within the mating holes of the Enviro body.



GENERAL INFORMATION

- + A qualified electrician, in accordance with AS/NZS 3000:2007 wiring regulations should carry out connection to mains wiring.
- + This unit must be EARTHED.
- + Ensure that the rated voltage and frequency requirements are compatible with the available mains supply, 220-240V 50Hz
- + Cleaning of reflectors and lenses should be carried out using clean, soft and lint free cloths and anti-static cleaning fluid.
- + Do not carry out high voltage insulation test i.e. 500/1000V this may damage the fixtures electrical components.

HEAD OFFICE | MELBOURNE

EAGLE LIGHTING VIC

17-19 Jets Court
Melbourne Airport VIC 3045

P 03 9344 7444

F 03 9344 7433

SYDNEY

EAGLE LIGHTING NSW

Unit 4, 21 Mars Road
Lane Cove NSW 2066

P 02 9420 5799

F 02 9420 5988

BRISBANE

EAGLE LIGHTING QLD

53 Caswell Street
East Brisbane QLD 4169

P 07 3891 0744

F 07 3891 0755

CANBERRA

EAGLE LIGHTING ACT

M 0411 889 406

eaglelightingaustralia

Member of the Fagerhult Group

EAGLE LIGHTING AUSTRALIA PTY LTD.

ABN 46 124 400 933